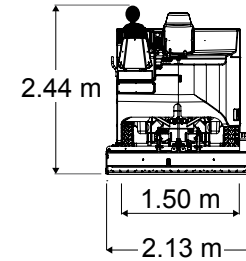
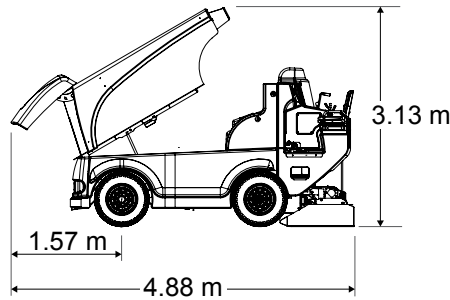
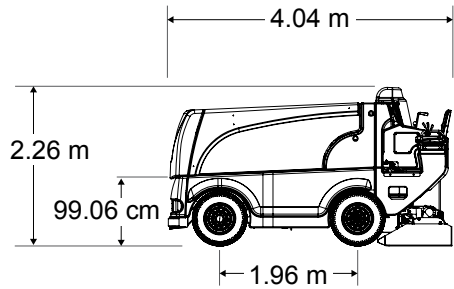


MODEL 650 ELECTRIC



CAPACITIES

Snow Tank

Actual Volume	3.0 m ³	106 cu. ft.
Compacted	3.74 m ³	132 cu. ft.

Water

Ice Making	757 L	200 gal.
Wash Water	227 L	60 gal.
Total	984 L	260 gal.

Hydraulic Oil	91 L	24 gal.
----------------------	------	---------

POWERTRAIN

Four-Wheel Drive

Motors

AC Hydraulic Pump Motor	8.2 kW	11 HP
AC Traction Motor	17.9 kW	24 HP

Battery	Accommodates a variety* of battery options up to 770Ah	
----------------	--	--

Axles

Front	2717 kg	5990 lb
Rear	4159 kg	9170 lb

DIMENSIONS

Overall

	L	W	H	L	W	H
Snow Tank Down	4.04 m	2.13 m	2.26 m	159 in.	84 in.	89 in.
Snow Tank Up	4.88 m	2.13 m	3.13 m	192 in.	84 in.	123 in.

Shaving Blade

	L	W	H	L	W	H
195.6 cm 77 in. Blade	195.6 cm	12.7 cm	1.27 cm	77 in.	5 in.	0.5 in.

Clearance

Minimum Operator Height Clearance		243.8 cm	96 in.
Snow Pit Clearance		99.06 cm	39 in.

Conveyor System

Horizontal Auger Diameter	25.4 cm	10 in.
Vertical Auger Diameter	25.4 cm	10 in.

Manueverability

Wheelbase	1.96 m	77 in.
Wheel Track	1.50 m	59 in.
Turning Radius at Conditioner	4.83 m	15 ft. 10 in.

Weight

Empty	4853 kg	10700 lb
with Water	5670 kg	12500 lb