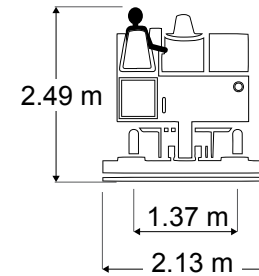
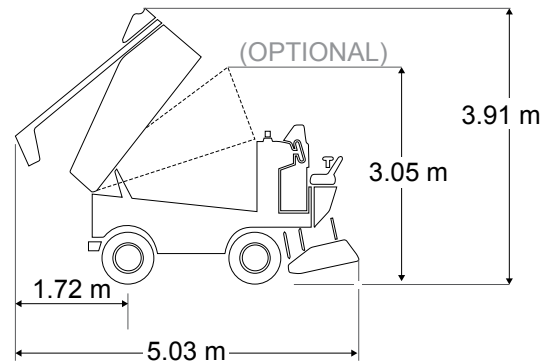
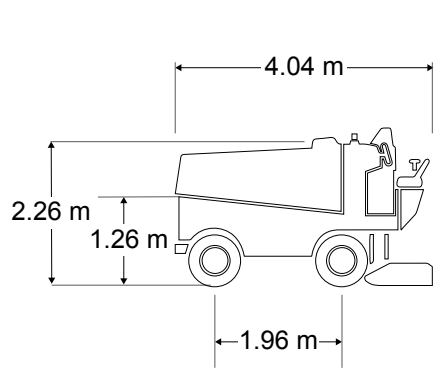


# MODEL 552<sup>AC</sup> ELECTRIC



## CAPACITIES

### Snow Tank

Actual Volume	2.83 m <sup>3</sup>	100 cu. ft.
Compacted	3.54 m <sup>3</sup>	125 cu. ft.

### Water

Ice Making	738 L	195 gal.
Wash Water	310 L	82 gal.
Total	1048 L	277 gal.

<b>Hydraulic Oil</b>	60.6 L	16 gal.
----------------------	--------	---------

## POWERTRAIN

Four-Wheel Drive

### Motors

Electric Hydraulic Pump Motor	8.2 kW	11 HP
Electric Traction Motor	17.9 kW	24 HP

<b>Battery</b>	80V, 510 Ah Standard	
----------------	----------------------	--

### Axles

Front	2903 kg	6400 lb
Rear	2903 kg	6400 lb

## DIMENSIONS

### Overall

	L	W	H	L	W	H
Snow Tank Down	4.04 m	2.13 m	2.16 m	159 in.	84 in.	85 in.
Snow Tank Up	5.03 m	2.13 m	3.91 m	198 in.	84 in.	154 in.

### Shaving Blade

	L	W	H	L	W	H
195.6 cm   77 in. Blade	195.6 cm	12.7 cm	1.27 cm	77 in.	5 in.	0.5 in.

### Clearance

Minimum Operator Height Clearance		248.9 cm	98 in.
Snow Pit Clearance		125.7 cm	49.5 in.

### Conveyor System

Horizontal Auger Diameter	25.4 cm	10 in.
Vertical Auger Diameter	25.4 cm	10 in.

### Manueverability

Wheelbase	1.96 m	77 in.
Wheel Track	1.37 m	54 in.
Turning Radius at Conditioner	4.87 m	16 ft.

### Weight

Empty	4423 kg	9750 lb
with Water	5148 kg	11350 lb



**Advanced Water System — AWS™**  
Regulates amount of water dispensed onto the ice relative to machine speed for efficient and even application. \*optional equipment



**Zamboni Power Brush™**  
Wider brush path reaches higher on the dasher board kick plate for superior cleaning power. \*optional equipment



**Integrated Auger Washout System**  
Simplifies the vertical and horizontal auger washout task, from a single point on the conditioner. \*optional equipment

**MODEL  
552<sup>AC</sup>  
ELECTRIC**

**STANDARD FEATURES**

- 2 Year Warranty
- 400 Micron Wash Water Deep Filter Bag
- Aluminum Alloy Wheels
- Battery Charger: Microprocessor Controlled
- Brushless AC Motors
- Chassis: Strong All Welded Steel Tubing
- Conditioner Safety Guards
- Dependable Sevcon® Gen4 Solid State Controls
- Digital Training and Reference Materials
- Familiar Automobile-Style Foot Controls
- Four-Wheel Drive
- Guide Wheel
- Headlights and Tail Light (for Off Ice Travel)
- High Quality 9 Micron Filter
- High Speed Vertical Auger
- Hydraulic Oil Level Sight Gauge
- Industry-Proven Lead Acid Batteries

- On-Dash Diagnostics
- Parking Brake
- Power Steering
- Premium Polyester Felt Spreader Towel
- Replaceable Poly Conditioner Side Plates
- Rugged Dana Spicer® Axles
- Rust-Free Poly Ice Making Water Tank
- Snow Tank Safety Stand
- Spare Tire and Wheel
- Stainless Steel Hardware
- Steering Wheel Spinner Knob
- Touch Up Paint Kit
- Tungsten Carbide Studded Tires
- Variable Speed Electric Hydraulic Pump Motor
- Wide Spectrum of Premium Automotive Paint Colors

**OPTIONS**

- Advanced Water System (AWS™)
- Automatic Snow Breaker
- Back Up Alarm
- Battery Watering Gun
- Battery Watering System
- [Blade Change System](#)
- Cab Enclosure
- Conditioner: 96" Blade
- Conditioner: Galvanized
- Electric Water Level Gauge
- [FastICE® Ice Making System](#)
- IceCaps® Wheel Advertising System
- Integrated Auger Washout System
- [Level-Ice™](#)
- Low Guide Wheel
- Seat Belt
- Snow Melting Kit
- Snow Tank Dump Height Restriction
- Snow Tank Light

- Stainless Steel Water Distribution Pipe
- Tire Wash System
- Wash Water to Ice Making Water Transfer
- Water Level Sight Gauge
- Zamboni Power Brush™ Board Brush System
- [Zamboni Connect™ System](#)