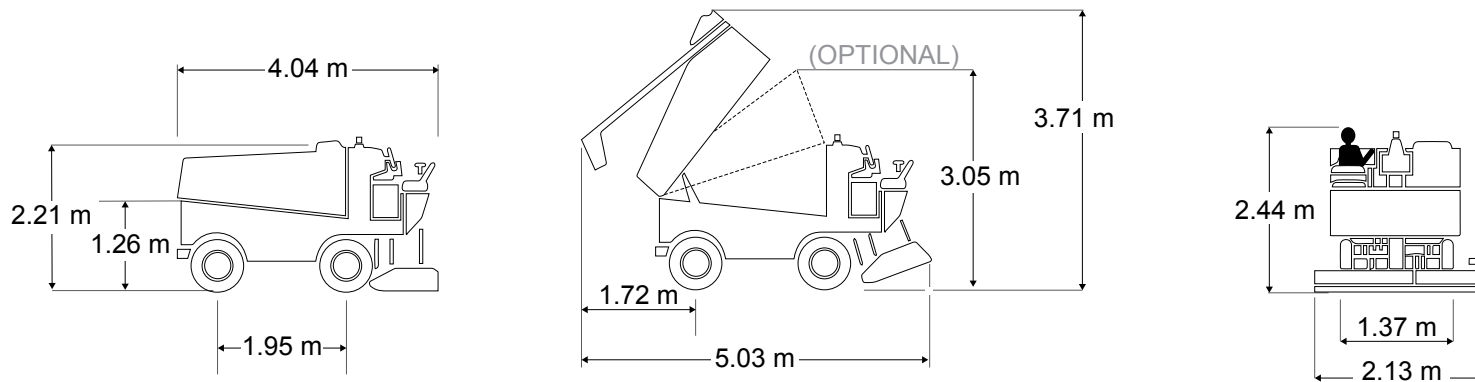


# MODEL 526



## CAPACITIES

### Snow Tank

|               |                     |             |
|---------------|---------------------|-------------|
| Actual Volume | 2.83 m <sup>3</sup> | 100 cu. ft. |
| Compacted     | 3.54 m <sup>3</sup> | 125 cu. ft. |
| Excess Water  | 416 L               | 110 gal.    |

### Water

|            |        |          |
|------------|--------|----------|
| Ice Making | 727 L  | 192 gal. |
| Wash Water | 273 L  | 72 gal.  |
| Total      | 1000 L | 264 gal. |

### Hydraulic Oil

|  |      |         |
|--|------|---------|
|  | 95 L | 25 gal. |
|--|------|---------|

## POWERTRAIN

### Four-Wheel Drive

|              |  |
|--------------|--|
| Engine       | Mitsubishi® 2.4 L / 59 HP at 2500 RPM<br>Four Cylinder Liquid Cooled   |
| Transmission | Continuously variable hydrostatic pump and motor are axial-piston type.  |
| Hydraulics   | Double pump powers the vertical and horizontal augers.<br>Hydraulic down pressure for optimal resurfacing results. |

### Axles

|       |         |         |
|-------|---------|---------|
| Front | 1950 kg | 4300 lb |
| Rear  | 2903 kg | 6400 lb |

### Brakes

Full Hydrodynamic Braking

## DIMENSIONS

### Overall

|                | L      | W      | H      | L       | W      | H       |
|----------------|--------|--------|--------|---------|--------|---------|
| Snow Tank Down | 4.04 m | 2.13 m | 2.21 m | 159 in. | 84 in. | 87 in.  |
| Snow Tank Up   | 5.03 m | 2.13 m | 3.71 m | 198 in. | 84 in. | 146 in. |

### Shaving Blade

|  | L        | W       | H       | L      | W     | H       |
|--|----------|---------|---------|--------|-------|---------|
|  | 195.6 cm | 12.7 cm | 1.27 cm | 77 in. | 5 in. | 0.5 in. |

### Clearance

|                                   |          |          |
|-----------------------------------|----------|----------|
| Minimum Operator Height Clearance | 243.8 cm | 96 in.   |
| Snow Pit Clearance                | 125.7 cm | 49.5 in. |

### Conveyor System

|                           |         |        |
|---------------------------|---------|--------|
| Horizontal Auger Diameter | 25.4 cm | 10 in. |
| Vertical Auger Diameter   | 25.4 cm | 10 in. |

### Manueverability

|                               |        |        |
|-------------------------------|--------|--------|
| Wheelbase                     | 1.96 m | 77 in. |
| Wheel Track                   | 1.37 m | 54 in. |
| Turning Radius at Conditioner | 4.86 m | 16 ft. |

### Weight

|            |         |         |
|------------|---------|---------|
| Empty      | 3143 kg | 6930 lb |
| with Water | 4240 kg | 9350 lb |



**Advanced Water System — AWS™**  
Regulates amount of water dispensed onto the ice relative to machine speed for efficient and even application. \*optional equipment



**Zamboni Power Brush™**  
Wider brush path reaches higher on the dasher board kick plate for superior cleaning power. \*optional equipment



**Integrated Auger Washout System**  
Simplifies the vertical and horizontal auger washout task, from a single point on the conditioner. \*optional equipment

# MODEL 526

## STANDARD FEATURES

2 Year Warranty  
Chassis: Strong All Welded Steel Tubing  
Conditioner Safety Guards  
Digital Training and Reference Materials  
Engine: CAN Bus System  
Engine: EPA and CARB Certified  
Familiar Automobile-Style Foot Controls  
Four-Wheel Drive  
Fuel Options: CNG, Gasoline, Propane  
Full Hydrodynamic Braking  
Guide Wheel  
Headlights and Tail Light (for Off Ice Travel)  
High Quality 16 and 22 Micron Filters  
High Speed Vertical Auger  
Hydraulic Oil Level Sight Gauge  
Load Sensing Engine Governor  
Multi-Function Display  
On-Dash Diagnostics  
Parking Brake

Power Steering  
Premium Polyester Felt Spreader Towel  
Replaceable Poly Conditioner Side Plates  
Rugged Dana Spicer® Axles  
Rust-Free Poly Ice Making Water Tank  
Snow Tank Safety Stand  
Spare Tire and Wheel  
Stainless Steel Hardware  
Steering Wheel Spinner Knob  
Touch-Up Paint Kit  
Tungsten Carbide Studded Tires  
Under Seat Storage  
Wide Spectrum of Premium Automotive Paint Colors

## OPTIONS

400 Micron Wash Water Deep Filter Bag  
Advanced Water System (AWS™)  
Aluminum Alloy Wheels  
Automatic Snow Breaker  
Back Up Alarm  
[Blade Change System](#)  
Cab Enclosure  
Chrome Wheels  
Conditioner: 96" Blade  
Conditioner: Galvanized  
Engine Diagnostic Computer Interface Tool  
[FastICE® Ice Making System](#)  
Fire Extinguisher  
Front Squeegee  
Heated Ergonomic Comfort Design Seat

- Armrest
- Seatbelt

Hydraulic Oil Cooler Kit  
IceCaps® Wheel Advertising System

Integrated Auger Washout System  
[Level-Ice™](#)  
Rotating Beacon Light  
Snow Melting Kit  
Snow Tank Dump Height Restriction  
Snow Tank Light  
Snow Tank Non-Stick Liner  
Stainless Steel Water Distribution Pipe  
Tire Wash System  
V-Plow  
Water Level Sight Gauge  
Wash Water to Ice Making Water Transfer  
[Zamboni Connect™ System](#)