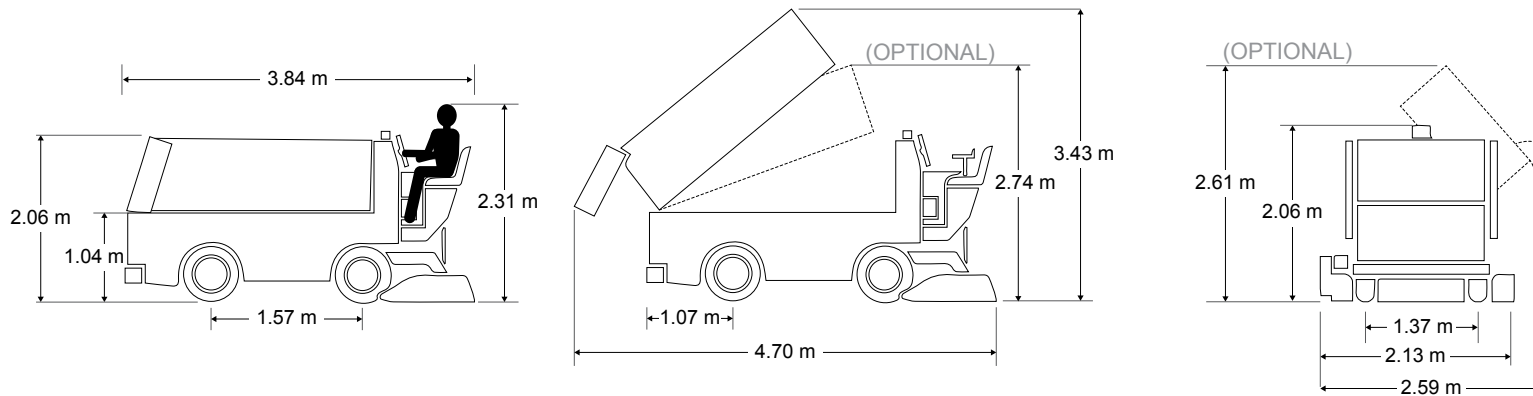


# MODEL 446



## CAPACITIES

### Snow Tank

Actual Volume	2.66 m <sup>3</sup>	94 cu. ft.
Compacted	3.17 m <sup>3</sup>	122 cu. ft.

### Water

Ice Making	627 L	166 gal.
Wash Water	218 L	58 gal.
Total	845 L	224 gal.

<b>Hydraulic Oil</b>	72 L	19 gal.
----------------------	------	---------

## POWERTRAIN

Four-Wheel Drive	
Engine	Mitsubishi® 2.4 L / 59 HP at 2500 RPM Four Cylinder Liquid Cooled
Transmission	Continuously variable hydrostatic pump and motor are axial-piston type.
Hydraulics	Powerful single pump for the vertical and horizontal augers. Hydraulic down pressure for optimal resurfacing results.

## Axles

Front	1950 kg	4300 lb
Rear	2177 kg	4800 lb

<b>Brakes</b>	Full Hydrodynamic Braking with Rear Drum Brakes
---------------	---

## DIMENSIONS

Overall	L	W	H	L	W	H
Snow Tank Down	3.84 m	2.13 m	2.06 m	151 in.	84 in.	81 in.
Snow Tank Up	4.70 m	2.13 m	3.43 m	185 in.	84 in.	135 in.
Shaving Blade	L	W	H	L	W	H
	195.6 cm	12.7 cm	1.27 cm	77 in.	5 in.	0.5 in.

## Clearance

Minimum Operator Height Clearance	2.31 m	91 in.
Snow Pit Clearance	104.1 cm	41 in.

## Conveyor System

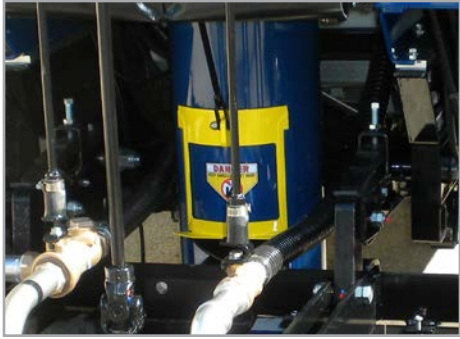
Horizontal Auger Diameter	25.4 cm	10 in.
Vertical Auger Diameter	25.4 cm	10 in.

## Manueverability

Wheelbase	1.57 m	62 in.
Wheel Track	1.37 m	54 in.
Turning Radius at Conditioner	4.57 m	15 ft.

## Weight

Empty	2660 kg	5860 lb
with Water	3502 kg	7720 lb



### Automatic Snow Breaker

Eliminates the need for manual control of the snow breaker by the machine operator.

\*optional equipment



### Integrated Auger Washout System

Simplifies the vertical and horizontal auger washout task, from a single point on the conditioner.

\*optional equipment



### Ergonomic Seat

Designed with the operator in mind, our premium seat has optimal adjustability.

\*optional equipment

# MODEL 446

## STANDARD FEATURES

2 Year Warranty  
 Chassis: Strong All Welded Steel Tubing  
 Conditioner Safety Guards  
 Digital Training and Reference Materials  
 Engine: CAN Bus System  
 Engine: EPA and CARB Certified  
 Familiar Automobile-Style Foot Controls  
 Four-Wheel Drive  
 Fuel Options: CNG, Gasoline, Propane  
 Full Hydrodynamic Braking  
 Guide Wheel  
 Headlights and Tail Light (for Off Ice Travel)  
 High Quality 10 and 25 Micron Filters  
 High Speed Vertical Auger  
 Hydraulic Oil Level Sight Gauge  
 Load Sensing Engine Governor  
 Multi-Function Display  
 On-Dash Diagnostics  
 Parking Brake

Power Steering  
 Premium Polyester Felt Spreader Towel  
 Replaceable Poly Conditioner Side Plates  
 Rugged Dana Spicer® Axles  
 Rust-Free Poly Ice Making Water Tank  
 Snow Tank Safety Stand  
 Spare Tire and Wheel  
 Stainless Steel Hardware  
 Steering Wheel Spinner Knob  
 Touch-Up Paint Kit  
 Tungsten Carbide Studded Tires  
 Under Seat Storage  
 Wide Spectrum of Premium Automotive Paint Colors

## OPTIONS

400 Micron Wash Water Deep Filter Bag  
 Automatic Snow Breaker  
 Back Up Alarm  
[Blade Change System](#)  
 Chrome Wheels  
 Conditioner: Galvanized  
 Electric Water Level Gauge  
 Engine Diagnostic Computer Interface Tool  
 Fire Extinguisher  
 Heated Ergonomic Comfort Design Seat
 

- Armrest
- Seatbelt

 Hydraulic Oil Cooler Kit  
 IceCaps® Wheel Advertising System  
 Integrated Auger Washout System  
[Level-Ice™](#)  
 Low Fuel Light  
 Rotating Beacon Light  
 Side Snow Tank Dump  
 Snow Melting Kit  
 Snow Tank Dump Height Restriction  
 Snow Tank Light  
 Snow Tank Non-Stick Liner  
 Stainless Steel Water Distribution Pipe  
 Tire Wash System  
 Wash Water to Ice Making Water Transfer  
 Water Level Sight Gauge  
[Zamboni Connect™ System](#)